



TRUNDEAN  
MACHINERY



**Minimal Vibration and Lowest Noise**

**Roots Blower**

**ISO 9001**



TRUNDEAN MACHINERY INDUSTRIAL CO., LTD.

# Professional Manufacturer of Roots Blower



TH Type  
Roots Blower



THD Type  
Direct Drive Roots Blower



THV Type  
Roots Vacuum Blower



TV Type  
Vertical Roots Blower



TSW Type  
Submersible Roots Blower



THL Type  
Two Section Roots Blower



THVE Type (European Style)  
Roots Vacuum Blower



TS Type  
Ring Blower



THW Type  
Water-Cooled Roots Blower



THS Type  
Partial Water-Cooled Roots Blower



TMD Type  
Magnetic Drive Pump



Diffusers  
Tubes

※ There are specific catalogs for each types

# Trundean Overview

## Introduction / Operating Principles

Trundean Machinery Industrial Co., Ltd. was founded in 1982. We insist on seeking high-quality talented acquisition of overseas new concepts, to set up a business reputation of excellence and perfection. Trundean Machinery Industrial Co., Ltd. has intensified our spirit and attitude in our quest for perpetual betterment, to seek sustained research and improvement, to persist in aggressively adhering to the policy of “customer first, quality first, service first” to ensure customers with quality after-sales services.

In the past years, with the upgrading of domestic industrial standards, and in view of the imperativeness to enhance market competitiveness, we have passed ISO 9001 in 2002, and passed CE certification in 2005. In this competitive market, we have been seeking product stability, standardized production processes, and continued to renew installation of production equipment and inspection equipment, so that our products are not inferior to those in advanced countries. And we have actively invested in research and development and made improvement on all our products, including Roots Blower, Vertical Blower, Submersible Blower, and Magnetic Drive Pump.

Besides developing the Taiwanese market, Trundean Machinery Industrial Co., Ltd. has actively developed overseas markets, and produced the “TRUNDEAN” brand for sales in overseas markets. Export markets have been extended to more than 60 countries, and our products have been highly recommended by local users. Based on firm and stable quality, Trundean Machinery Industrial Co., Ltd. enthusiastically develops new products and provides sincere and prompt service, providing better service to our customers and establishing excellent cornerstones for our sustainable business operation.

## Patent is to approve our R & D achievement and the glory of leading the industry.



Patent for Roots Blower Series



Patent for THW Type



Patent for TV Type



Patent for TMD Type



Patent for Roots Blower Series



Patent for THW Type



Patent for TV Type



Patent for TMD Type

## Certification is to decide our position in the market and the bridge to the world.



ISO 9001:2000



ISO 9001:2000 CE for Roots Blower Series



ISO 14001:2004

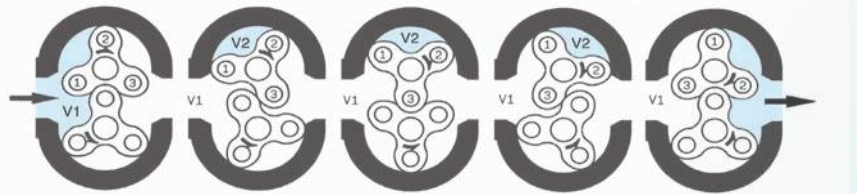


ISO 9001:2008

## Features of TRUNDEAN Roots Blower :

1. The air compartment and the side cover of our blower has a flange and groove rim, which can not only strengthen the blower's operational functions but also prevent eccentric phenomenal resulting from the fastening of the stud, which may shorten the life of the blower.
2. To reduce man-made errors, enhance the precision of the leave wheel, and to higher the blower efficiency, our rotor uses the most advanced one time work process Four-Shaftmethod.
3. Appropriate clearance between the rotors and the rotors with the casing ensure no direct operational contact, hence no lubrication is necessary. The synchronous gear drive system and the shaft bearings are the only parts which require lubrication. Separate lateral chambers are designed to house these moving parts with proper seals to prevent oil leakage to the main chamber.
4. Computerized CNC machines are used to produce components and parts of high quality and precision also saves the user both time and labor during maintenance and replacement.
5. Low Noise & Minimal Vibration : Noise and vibration reduction are the main emphasis in developing the new series of roots blower. The TRUNDEAN Blower rotor concept was adopted based on its flow characteristics which are very stable and even compared to the 2 lobes type, also coupled with the fact that it shows a considerable reduction of both noise and vibration. The ext ent of reduction can even allow the smaller unit to operate without the need of a silencer.

## Principle of Blower Operation :



There are two rotors in the compartment of the blower body, when the rotors operate in opposite direction, they suck air in to balance the pressure created due to the volume V1 change on the inlet side. And the air of the volume V2 will be sent out thru the discharge side and the high pressure will be created thru the discharge.

There is no need to supply any lubrication between two rotors because of the existing clearance between them which gives no worry about the possibility of friction. The blower runs well at high speed and produces clean air, it is also applied to vacuum purpose.

## Usage of Performance Table :

The performance table shows relationships among blower type, bore, rpm., discharge pressure, theoretical air capacity and shaft power.

1. The air volume shown in the performance table represents a suction volume under standard suction condition (temp. 20 °C, absolute pressure 1.0332 kg/cm<sup>2</sup>, relative humidity 65%).
2. In case an air flow under the normal condition (0 °C 1.0332 1.0332 kg/cm<sup>2</sup> ABS) is equivalent to a suction pressure, it can be converted to an air flow under the standard condition by means of following formula:

$$Q_s = Q_n \times \frac{\gamma_n}{\gamma_s} \times \frac{P - 0.378 \phi \times P_s}{273 + t}$$

$\gamma$  : Humidity(%)                      P : Pressure(mmHg)

$Q_n$  : Air flow under normal condition Nm<sup>3</sup>/min       $Q_s$  : Air flow under standard condition (indicated in the performance table, m<sup>3</sup>/min)

$\gamma$  : Air ratio weight(kg/m<sup>3</sup>)       $P_s$  : Water vapor saturation pressure of the temperature(mmHg)      T : Absolute Temperature(273+t)°C

3. An air flow under discharge condition can be converted to an air flow under standard condition :

$$Q_s = Q_d \times \frac{1.0332 + P_d}{1.0332} \times \frac{273 + T_s}{273 + T_d}$$

$Q_d$  : Air flow under discharge condition, m<sup>3</sup>/min       $P_d$  : Discharge pressure, kgf/m<sup>2</sup>       $T_s$  : Suction temperature       $T_d$  : Discharge temperature

4. Seek blower type, bore, rpm., and shaft power of the performance table based on the air flow and required discharge pressure obtained as a result of the aforementioned results.
5. The selective range is duplicated depending on blower types. However, as a selective criterion, choose blowers of the smaller type from a economical viewpoint and those of the larger type from a viewpoint of noise level.

# THW Type Structural Drawing

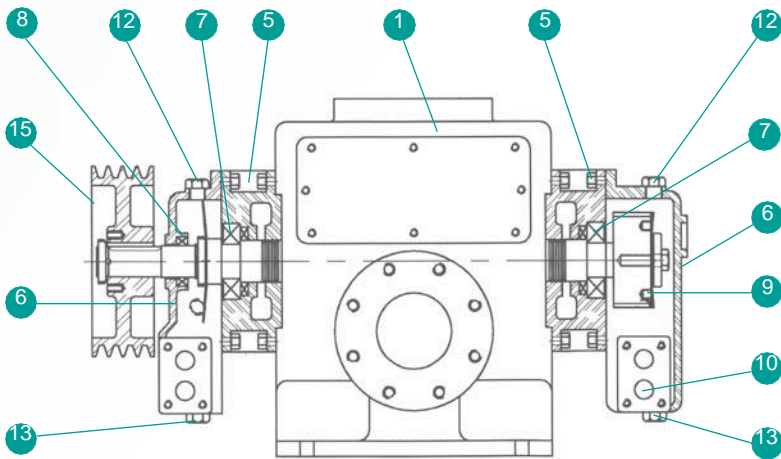
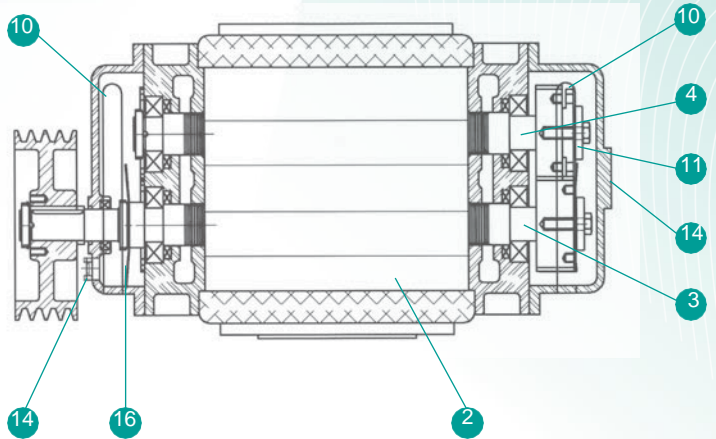
# SO 900



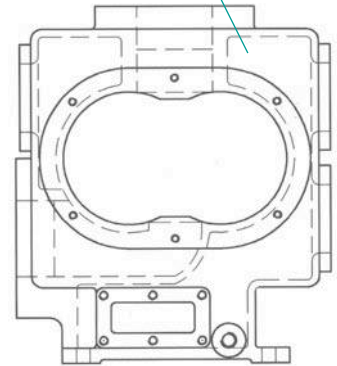
## THW Type (Pressure Conveyance)

Pressure: 0~10000 mmAq

Power: 15~300 HP



The Case of cooling water



NO.	Name	Material	Q'ty	NO.	Name	Material	NO.
1	Main body	FC25	1	9	Gear	SNCM220	2
2	Rotor	FC25	2	10	"S"Ring	Brass	2
3	Drive Shaft	S45C	1	11	Washer	S45C	2
4	Driven Shaft	S45C	1	12	Lubrication Plug	PP	2
5	Bearing Base	FC25	2	13	Drain Plug	FCMB28	2
6	Oil Box	FC25	2	14	Oil Gauge	BRASS	2
7	Bearing	SUJ2	4	15	Pulley	FC20	1
8	Oil Seal	NBR	1	16	Oil Splasher	SS41	1

※ Could be manufactured by special material

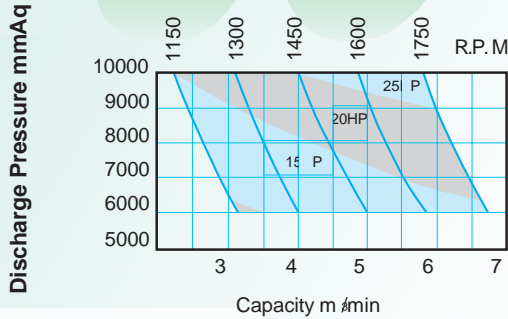
# THW Type Performance Table (Pressure Conveyance)

Models	Speed	6000 mmAq		7000 mmAq		8000 mmAq		9000 mmAq		10000 mmAq		Cooling water
	R.P.M	m <sup>3</sup> /min	kw	m <sup>3</sup> /min	kw	m <sup>3</sup> /min	kw	m <sup>3</sup> /min	kw	m <sup>3</sup> /min	kw	L / min
THW-80	1150	3.61	7.1	3.41	8.2	3.18	9.2	2.95	10.5	2.75	11.4	8
	1300	4.51	8.0	4.30	9.2	4.08	10.4	3.84	11.6	3.65	12.8	
	1450	5.41	9.0	5.20	10.3	4.98	11.6	4.64	13.0	4.44	14.3	
	1600	6.30	9.9	6.09	11.4	5.87	12.8	5.43	14.3	5.33	15.9	
	1750	7.20	10.8	6.99	12.4	6.77	14.0	6.33	15.6	6.23	17.2	
THW-100	1150	5.52	10.1	5.16	11.6	4.92	13.1	3.92	12.6	3.76	14.1	10
	1300	7.31	11.4	7.00	13.1	6.79	14.8	6.43	16.5	6.27	18.2	
	1450	8.57	12.7	8.25	14.6	8.04	16.5	7.86	18.4	7.51	20.3	
	1600	9.82	14.1	9.51	16.2	9.30	18.2	8.94	20.4	8.78	22.3	
	1750	11.00	15.4	10.70	17.7	10.55	19.9	10.20	22.3	10.10	24.0	
THW-125A	970	10.6	18.5	10.1	21.4	9.8	24.2	9.1	27.1	8.9	29.9	15
	1150	13.8	22.0	13.3	25.4	13.0	28.7	12.3	32.2	12.1	35.4	
	1300	16.5	24.8	16.0	28.7	15.6	32.4	15.0	36.4	14.8	40.0	
	1450	19.1	27.7	18.6	32.0	18.3	36.2	17.6	40.6	16.5	44.7	
	1600	21.8	30.6	21.3	35.3	20.9	39.9	20.3	44.7	20.1	49.2	
THW-150A	850	16.1	26.7	16.0	28.2	15.7	31.8	14.2	43.7	13.6	43.2	18
	1000	20.3	31.4	20.1	33.4	19.8	37.7	18.4	46.0	17.9	50.9	
	1150	24.5	36.1	23.6	37.8	23.2	42.6	22.7	52.9	22.1	58.5	
	1250	27.3	39.3	27.0	42.1	26.7	47.5	25.5	57.5	24.9	63.6	
	1400	31.6	44.0	30.4	46.5	30.1	52.5	29.7	64.4	29.1	71.3	
THW-200	850	22.9	34.6	22.3	39.7	21.7	45.1	21.0	50.2	20.6	55.6	20
	950	26.7	38.7	26.1	44.4	25.5	50.5	24.8	56.2	24.4	62.3	
	1050	30.5	42.8	29.9	49.1	29.3	55.9	28.6	62.2	28.2	69.0	
	1150	34.2	46.8	33.6	53.8	33.1	61.2	32.3	68.1	32.0	75.6	
	1250	38.0	50.9	37.4	58.5	36.9	66.6	36.1	74.1	35.8	82.3	
THW-250	850	37.1	52.3	36.2	60.3	35.3	68.6	34.5	77.0	33.6	85.0	25
	950	42.9	58.4	42.0	67.4	41.1	76.7	40.3	86.0	39.4	95.0	
	1050	48.7	64.5	47.8	74.5	46.9	84.8	46.1	95.0	45.2	105.0	
	1150	54.4	70.6	53.5	81.6	52.6	92.8	51.8	104.0	50.9	115.0	
	1250	60.2	76.7	59.3	88.7	58.4	101.0	57.6	113.0	56.7	125.0	
THW-300A	650	64.8	97.8	63.2	123.0	61.8	139.2	60.4	156.4	59.0	173.6	35
	730	75.3	118.5	73.7	138.0	72.4	156.4	70.9	176.0	69.6	185.2	
	800	84.5	130.0	82.9	150.7	81.5	171.4	80.2	192.1	78.9	212.8	
	880	95.1	143.8	93.5	165.6	92.1	188.6	90.8	211.6	89.5	234.6	
	980	108.1	159.9	106.6	185.2	105.2	210.5	103.9	235.8	102.6	261.1	

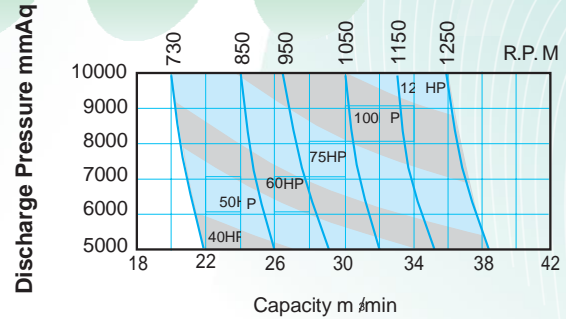
THW Type Performance Table

# THW Type Performance Curve (Pressure Conveyance)

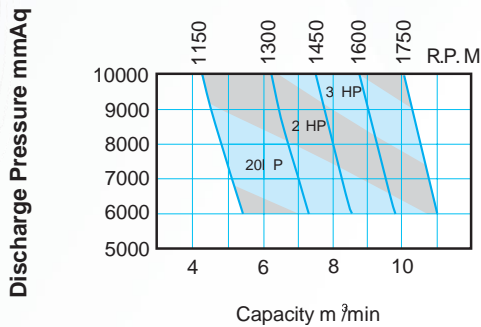
**THW-80**



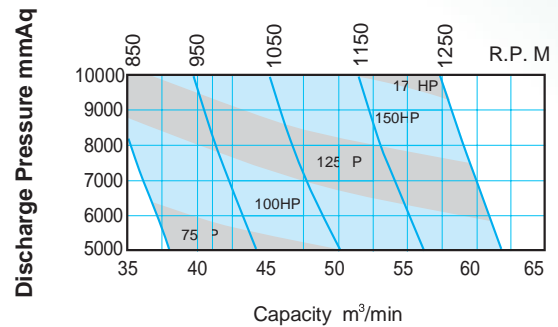
**THW-200**



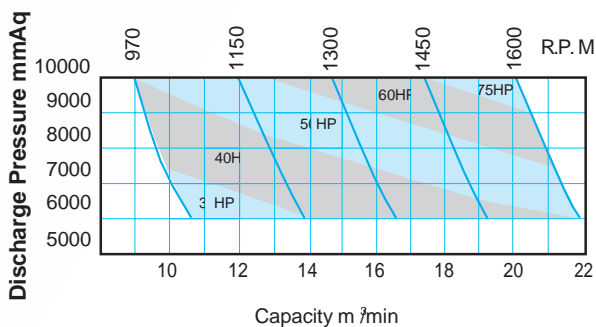
**THW-100**



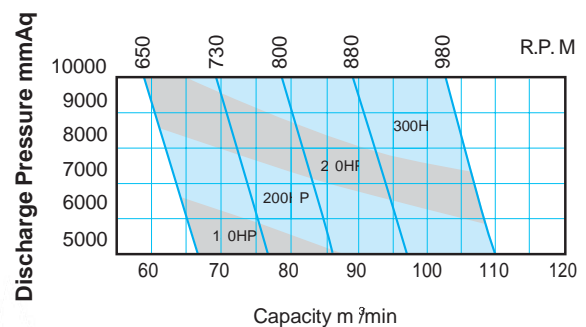
**THW-250**



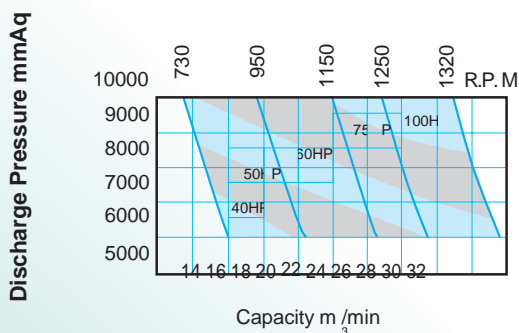
**THW-125A**



**THW-300A**

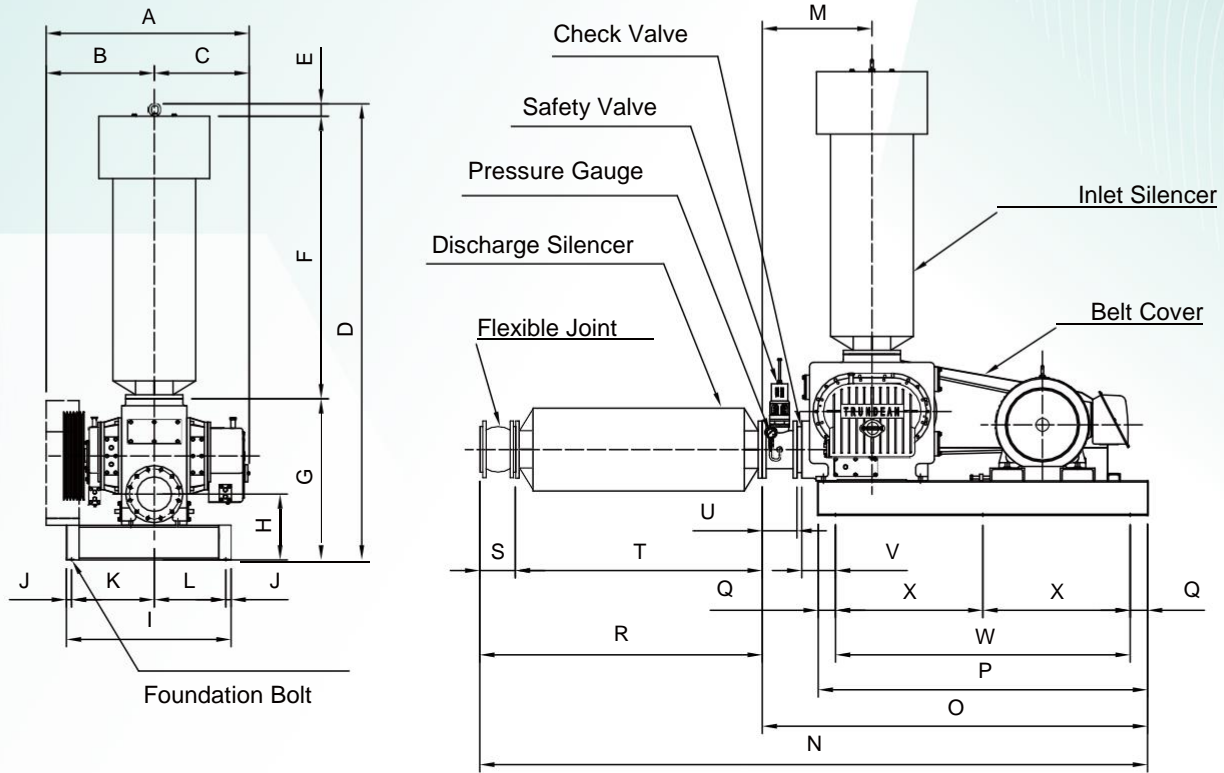


**THW-150A**



THW Type Performance Curve

# THW Type Dimension Drawing



THW Type Dimension Drawing

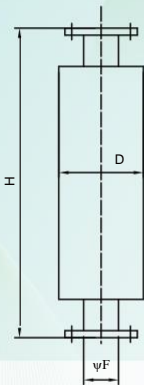
Models	A	B	C	D	E	F	G	H	I	J	K	L	M	N	O	P	Q	R	S	T	U	V	W	X	W1	W2
THW-80	705	390	315	1383	51	782	550	245	470	18	247	187	411	2083	1161	900	100	923	130	793	185	160	700		237	320
THW-100	799	435	365	1442	51	841	550	245	470	18	292	142	411	2165	1161	900	100	933	135	797	185	160	700		254	356
THW-125A	963	480	483	2182	60	1492	630	275	600	22	288	268	496	3096	1399	1100	100	1592	170	1422	200	183	900	850	498	673
THW-150A	1066	555	511	2282	60	1492	730	310	600	25	395	155	556	3396	1716	1400	100	1606	180	1426	200	200	1200		717	914
THW-200	1171	624	547	2633	71	1632	930	380	950	30	477	413	633	3854	2223	1900	100	1631	205	1426	200	195			896	1310
THW-250	1352	710	642	2633	71	1632	930	430	950	30	563	327	683	3943	2273	1900	100	1670	240	1430	250	195		850	1217	1683

W1 : Weight of main body only. (Kg)

W2 : Weight of main body and all accessories which include Inlet & Discharge Silencer, Base Plate, T-Joint, Safety Valve, Check Valve, Belt Cover and Flexible Joint, doesn't include motor. (Kg)

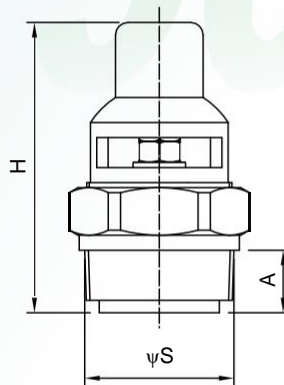


# Accessories Dimension



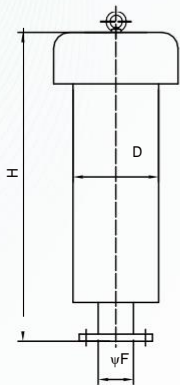
Discharge Silencer

Type	H	D	ψF	Wt.(kg)
DS-40	527	114	40	8
DS-50	787	168	50	13
DS-65	791	216	65	19
DS-80	791	216	80	20
DS-100	796	268	100	27
DS-125	1420	321	125	55
DS-150	1424	321	150	52
DS-200	1424	478	200	78
DS-250	1428	478	250	100
DS-300	1428	628	300	130



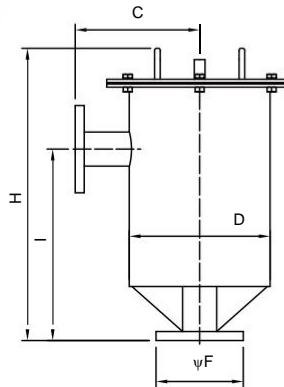
Vacuum Safety Valve

Type	H	ψS	A	Wt.(kg)
VB-50	116	PT 2"	25	1



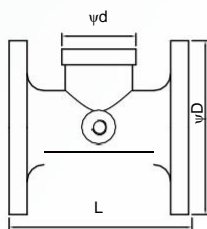
Inlet Silencer

Type	H	D	ψF	Wt.(kg)
SS-40	525	114	40	3
SS-50	740	168	50	14
SS-65	780	216	65	18
SS-80	780	216	80	19
SS-100	840	268	100	24
SS-125	1490	321	125	46
SS-150	1490	321	150	49
SS-200	1630	478	200	99
SS-250	1630	478	250	105
SS-300	1630	628	300	143



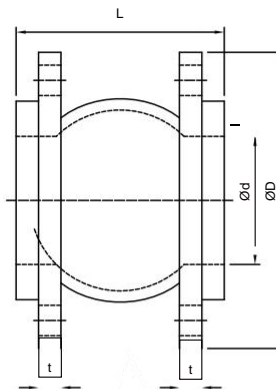
Vacuum Inlet Filter

Type	C	D	ψF	H	I	Wt.(kg)
SR-50	221	250	155	519	340	16
SR-65	223	250	175	621	430	20
SR-80	223	250	185	721	500	22
SR-100	243	290	210	721	500	25
SR-125	285	370	250	813	560	42
SR-150	287	370	280	815	562	45
SR-200	337	470	330	845	592	73
SR-250	339	470	400	1137	824	73
SR-300	339	470	445	1137	824	102



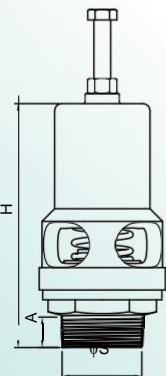
T-Joint

Type	L	ψd	ψD	Wt.(kg)
SP-40	85	0.5"	90	1
SP-50	160	1.5"	155	5
SP-65	160	1.5"	175	7
SP-80	185	2"	185	8
SP-100	185	2"	210	8
SP-125	200	2"	250	12
SP-150	200	3"	280	17
SP-200	200	3"	330	22
SP-250	250	3"	400	37
SP-300	300	3"	445	



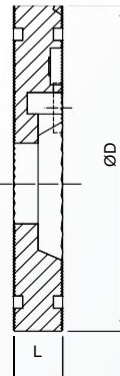
Flexible Joint

Type	L	ψd	ψD	t	Wt.(kg)
FJ-50	105	50	155	13	3
FJ-65	115	65	175	14	5
FJ-80	130	80	185	14	5
FJ-100	135	100	210	14	6
FJ-125	170	125	250	17	8
FJ-150	180	150	280	18	10
FJ-200	205	200	330	19	15
FJ-250	240	250	400	20	19
FJ-300	260	300	445	24	26



Safety Valve

Type	H	ψS	A	適用機型	Wt.(kg)
SV-12	95	PT 0.5"	17	TH-40	0.5
SV-38	132	PT 1.5"	26	TH-50,65	1
SV-50	180	PT 2"	28	TH-80,100,125	3
SV-80	260	PT 3"	36	TH-150,200,250,300	7



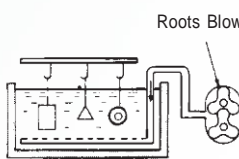
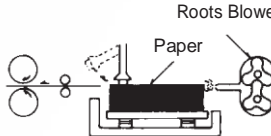
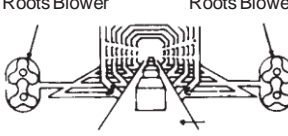

Check Valve

Type	ψD	L	Wt.(kg)
DS-40	65	88	1
DS-50	106	16	1
DS-65	125	16	2
DS-80	133	16	2
DS-100	158	16	2
DS-125	189	16	3
DS-150	218	19	4
DS-200	265	28	8
DS-250	332	28	13
DS-300	375	32	21

# SO 900 Application

Pressure Conveyance

Vacuum

<p><b>Waste Water Treatment</b></p> <p>Roots Blower</p> <p>The blower is for aeration and stir purpose in the waste water treatment plant.</p> <p><b>Barnyard Manure, Composted Manure Fertilizing</b></p>	<p><b>Oxygen Supply for Farming Ponds</b></p> <p>Roots Blower</p> <p>The blower is for underwater enzyme supply in comparatively shallow ponds.</p> <p><b>Conveyance of Grain</b></p>	<p><b>Conveyance of Particles</b></p> <p>Storage tank      Roots Blower</p> <p>The vacuum blower is applied to convey soybean, rice and wheat.</p> <p><b>Paper-Feeding for Printer</b></p>	<p><b>Dehydration</b></p> <p>Paper or cloth</p> <p>Roots Vacuum Blower</p> <p>The vacuum blower is applied to paper and fiber industry.</p> <p><b>Smog Testing</b></p>
<p>Roots Blower</p> <p>Outlet</p> <p>The blower promotes the fermentation of domestic animal's excreta, etc...</p>	<p>Wheat</p> <p>Roots Blower      Rotary valve</p> <p>The blower is for pneumatic transport of wheat or other grain separated by a rotary valve.</p>	<p>Printing roller Paper</p> <p>Roots Vacuum Blower</p> <p>Keeps paper on the deceleration roller.</p>	<p>Car</p> <p>Roots Vacuum Blower</p> <p>The blower is applied to inspect exhaust gas from car.</p>
<p><b>Electroplating Tank</b></p> <p>Roots Blower</p>  <p>The blower supply air to tank to stir the liquid for high-quality electroplating.</p>	<p><b>Molding Press</b></p> <p>Moldings</p> <p>Roots Blower</p> <p>The blower helps take out the pressed products.</p>	<p><b>Filter</b></p> <p>Liquid      Filter      Roots Vacuum Blower</p> <p>Filter</p> <p>A strong vacuum shortens time of the liquid passing the filter.</p>	<p><b>Vacuum Cleaner</b></p> <p>Roots Vacuum Blower</p> <p>Filter</p> <p>The vacuum blower is applied to dust collector for general industry.</p>
<p><b>Paper-Feeding for Printer</b></p> <p>Roots Blower</p>  <p>The blower helps printer to separate, align and feed papers.</p>	<p><b>Drying the Conveying-Belts</b></p> <p>Roots Blower      Roots Blower</p>  <p>The blower is applied to dry the conveying-belts.</p>	<p><b>Reprocess Goods Absorption-Maintenance</b></p> <p>Workpiece</p> <p>Roots Vacuum Blower</p> <p>Fix non-magnetic material on the worktable by vacuum.</p>	<p><b>Vacuum Mud-Sucking Truck</b></p> <p>Roots Vacuum Blower</p> <p>The vacuum blower is applied to clean colloidal sludge.</p>
<p><b>Incinerator</b></p> <p>Roots Blower</p> <p>Incinerator</p> <p>The blower enhances the combustion efficiency and promotes the exhaust gas removal.</p>	<p><b>Therapeutic Bath Tub</b></p> <p>Roots Blower</p> <p>Bath</p> <p>The blower is widely applied to health bath aeration in hospital and hotel.</p>	<p><b>Nuclear Factory</b></p> <p>Roots Vacuum Blower</p>  <p>Nuclear Furnace</p> <p>The vacuum blower is applied to collect the radiation from nuclear furnace.</p>	<p><b>Absorption Transporter</b></p> <p>Roots Vacuum Blower</p> <p>The vacuum blower is applied to transport heavy material such as iron plate and breakable glass.</p>

Application

# Units Conversion Table

## Pressure

	mbar	Pa	atm	lbf/in <sup>2</sup>	kgf/cm <sup>2</sup>	in Hg	mmAq
1 mbar	1	10 <sup>2</sup>	9.869X10 <sup>-4</sup>	1.45X10 <sup>-2</sup>	1.02X10 <sup>-3</sup>	2.953X10 <sup>-2</sup>	10.197
1 Pa	0.01	1	9.87X10 <sup>-6</sup>	1.45X10 <sup>-4</sup>	1.02X10 <sup>-5</sup>	2.953X10 <sup>-4</sup>	0.102
1 atm	1.013X10 <sup>3</sup>	1.013X10 <sup>5</sup>	1	14.7	1.033	29.92	1.033X10 <sup>4</sup>
1 lbf/in <sup>2</sup>	68.95	68.95X10 <sup>2</sup>	6.805X10 <sup>-2</sup>	1	7.03X10 <sup>-2</sup>	2.036	7.03X10 <sup>2</sup>
1 kgf/cm <sup>2</sup>	9.807X10 <sup>2</sup>	9.807X10 <sup>4</sup>	0.968	14.223	1	28.96	10 <sup>4</sup>
1 in Hg	33.86	33.86X10 <sup>2</sup>	3.342X10 <sup>-2</sup>	0.491	3.45X10 <sup>-2</sup>	1	3.45X10 <sup>2</sup>
1 mmAq	9.806X10 <sup>-2</sup>	9.806	9.678X10 <sup>-5</sup>	1.42X10 <sup>-3</sup>	10 <sup>-4</sup>	2.896X10 <sup>-3</sup>	1

### Common formulas for pressure conversion

1Pa=0.102mmAq  
1psi=703mmAq

1mbar=10.197mmAq  
1Torr=133.3Pa

1mmHg=13.6mmAq  
1Torr=1.333mbar

					kg-m/sec	KW	HP	PS
1m <sup>3</sup> /min	1	60	1000	35.31	1 kg-m/sec <sup>2</sup>	0.001	0.0013	0.0013
1m <sup>3</sup> /hr	0.017	1	16.67	0.589	1 KW	1000	1	1.360
1/min	0.001	0.06	1	0.035	1 HP	745.699	0.746	1.014
1ft <sup>3</sup> /min	0.028	1.699	28.32	1	1 PS	735.498	0.736	0.986

## Usage Instruction for Roots Blower :

- **Before starting the blower, check the following to make sure they are all normal.**
  - 1、 Distribution Pipes
    - ◆ Make sure insides of the pips are clean and all connecting part are tightly secured.
    - ◆ Make sure all valves are opened to avoid the pressure going up.
  - 2、 Power Supply
    - ◆ Motor wiring, voltage, frequency, etc. must be normal.
  - 3、 Direction of Rotation
    - ◆ Please follow the instruction on the safety cover. If rotation reversed, modified the motor wiring .
  - 4、 Safety Valve
    - ◆ Adjust the safety valve to 1.5~2.5 times than operation pressure.
  - 5、 Lubricating oil
    - ◆ Make sure that oil level stays at middle of oil gauge. Change the oil three months a time.
    - ◆ Before turn blower on, check if it runs smoothly by hand.
- **The Initial Noise**  
Because of viscosity of oil, there would be some noise when blower runs at very beginning. It would be normal approx. 10~20 minutes later
- **Attention**  
Please pay attention to the sounds, pressure, current and temperature, etc. when the blower is running. If there is any abnormal circumstance, turn off the blower immediately and find the cause out.

# Sincere Enthusiasm Professional Innovative



Taoyuan Head Office, Taiwan



Office Lobby



CNC Machine Area



Testing Area for MD Pump



Container Port



Testing area for Roots Blower

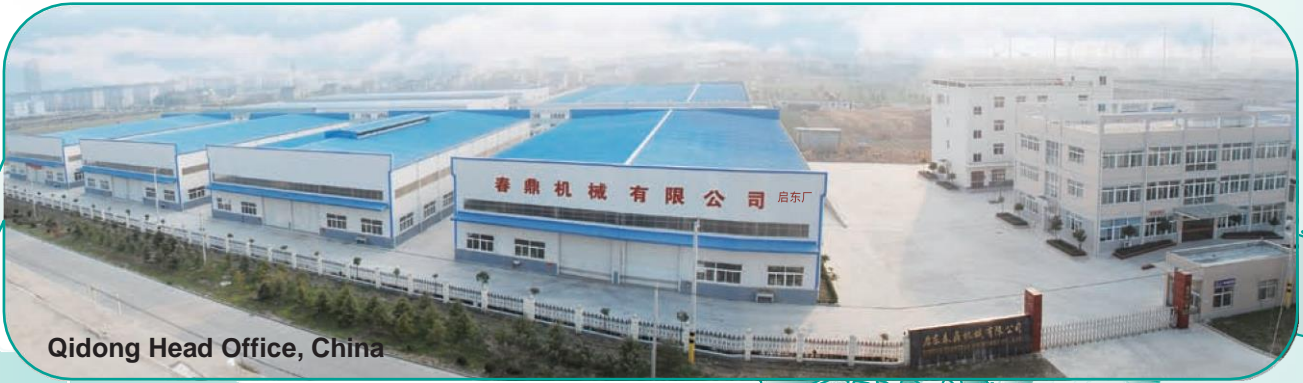


Finished Product Storage Area

SO



Tainan Branch, Taiwan



Qidong Head Office, China



Office Lobby



Dormitory for Trundeans' Staff



Qidong Head Office



Product Storage Area

## Advantages Products Aspect:

- TH Series: The compartment and the side cover of TRUNDEAN Roots Blower has a flange and groove rim, which can not only strengthen the blower's operational functions but also prevent eccentric phenomonal resulting from the fastening of the stud, which may shorten the life of blower.
- TV Series: The Vertical Roots Blower uses direct-drive, reducing wear and tear on the belt, reducing the amount of maintenance needed, and reducing the risk of oil leaks.
- TSW Series: Because it is submersible under water, there wouldn't be much noise when the blower is running.
- TMD Series: Magnetic Drive Pump materials comprise mainly GFR-PP and PVDF. Therefore, almost all chemical solutions can be safely transmitted. Abandoning the traditional design of shaft seal, the no shaft seal pump can be completely sealed, so there is no risk of damage to the pump which may result in leaks.

## Service Aspect:

- Technical Consultancy Service: To enable customers to accurately choose from product specifications, Trundeans Machinery Industrial Co., Ltd. provides technical consultancy service to solve customers' technical problems when choosing products, thereby effectively reducing customers' business costs.
- Innovation R&D Service: R&D is the motivation for Trundeans Machinery Industrial Co., Ltd. on our way to carry forward the past and forging ahead to future prosperity, to seek sustained improvement and perfection. Our well trained production groups can at all times meet the customer requirements for any specifications, so that customers can rest assured.
- Quality Delivery Service: In addition to smooth operation under perfect ISO 9001 system, and complete test and inspection assurance, product delivery is also our acknowledgement and responsibility, so that our service personnel can support every customer at any time and location.
- After-sales Maintenance Service : To ensure maneuverability and stability for customers in the use of products, we shall provide the most efficient and highest quality services. As well as providing customers with a one-year warranty, we guarantee the supply and replacement of parts for future maintenance.



Bangkok Branch,  
Thailand



**TRUNDEAN**  
MACHINERY

**TRUNDEAN MACHINERY INDUSTRIAL CO., LTD.**

<http://www.trundean.com>

**Taoyuan Head office, Taiwan**

No. 101 Lane 861, Fu-Kuo Rd., Taoyuan City, Taiwan  
TEL: +886-3-323-8288 FAX: +886-3-323-8959  
E-mail: blower@trundean.com

**Tainan Branch, Taiwan**

No.1-35 Jiu Ying, Jiu Ying Li, Yan Shui Town, Tai Nan County  
TEL: +886-6-652-9455 FAX: +886-6-652-9520  
E-mail: tainan@trundean.com

**Bangkok Branch, Thailand**

71/90 Sol 13 Chomthong Rd, Chomthong Bangkok 10150 Thailand  
TEL: +66-2-878-1885 FAX: +66-2-878-1887

**Qidong Head Office, China**

No. 899, Lingfeng Road, Haihong Industrial Park, Economic  
Development Zone, Qidong City, Jiangsu Province, P.R.C  
TEL: +86-513-6889-6666 FAX: +86-513-6889-1666  
E-mail: qidong@trundean.com

Exclusive Agent :

**TECHNO BANGLA CREATION LTD.**

House # 396 (4th Floor), Road # 29, New DOHS

Mohakhali, Dhaka-1206, Bangladesh

Tel: +88 02 222284773, 01716 825385,

E-mail: asad@technocreationbd.com

Web: [www.technocreationbd.com](http://www.technocreationbd.com)

The catalogue is subject to change without further notice.